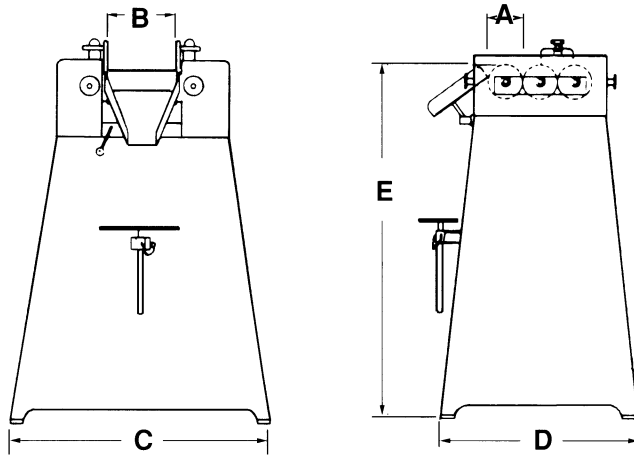


The original 52M — 2-1/2"x5" Three Roll Mill is an extremely popular model for benchtop development work and small-volume production in many industries around the world. The mill is driven by an explosion-proof 1/2 HP single-phase AC motor.



Our 4"x8" or 5"x12" floor models are ideal laboratory, pilot plant, or low-volume production mills. Hardened, precision-ground rolls are cored for uniform cooling. Handwheel controls feature a quick-release/reset mechanism for easy operation and accurate repeatability. The 4"x8" Three Roll Mill is also available in a bench model. For higher-volume production we offer two models, the 6"x14" and the 52TC — 9"x24" Three Roll Mills (see specifications in the table below).

Three-Roll Mill Model	Roll Dia. (A)	Roll Length (B)	Front Roll Speed	Motor HP	Length (C)	Width (D)	Height (E)	Weight
52M 2½" x 5" Bench Model	2½"	5"	428 RPM	½	24"	11¼"	8¼"	160 lbs.
4" x 8" Bench Model <i>Not shown above.</i>	4"	8"	270 RPM	1	26"	19"	21"	400 lbs.
4" x 8" Floor Model	4"	8"	270 RPM	1	30"	23"	43½"	600 lbs.
5" x 12" Floor Model Only	5"	12"	348 RPM	2	36½"	26"	50"	750 lbs.
6" x 14" Floor Model Only <i>Not shown above.</i>	6"	14"	350 RPM	5	43"	40"	41"	1800 lbs.
52TC 9" x 24" <i>Not shown above.</i>	9"	24"	360 RPM	7½ 10 15	66"	48"	50"	3400 lbs.